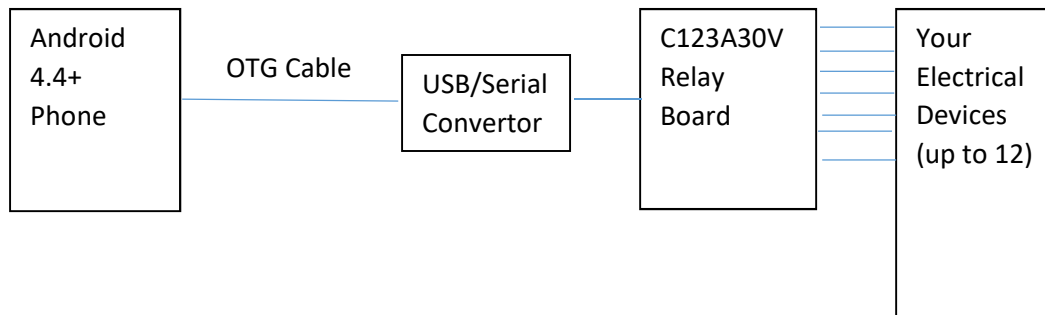


How to turn C123A30V as a true mobile application

Setup

1. You need an Android 4.4+ phone that can access the internet via wifi, 3G, or 4G mobile network;
2. Download and install our free app from [Play Store](#) or search C123A30V from the Play Store;
3. Hook up the Android with an OTG cable (can be found from our shop);
4. Hook up the OTG USB female side to a USB/Serial convertor (can be found from our shop);
5. Hook up the convertor serial end to C123A30V DB9 female connector;
6. Apply 9V to 24V center positive to C123A30V;
7. Start the Android App;
8. Click the App Start Button, you will be asked to grant for accessing USB, click Allow;
9. You should see the boardID from the Android Phone screen;
10. Keep the boardID



Apply for the service

1. Send the boardID, your desired logon name and your Paypal email to [us](#);
2. We will send you a Paypal money request of US\$149.50 (there 2 steps cannot be done via our store);
3. We will setup your account and email you the server logon name with an initial password to your Paypal email address;

