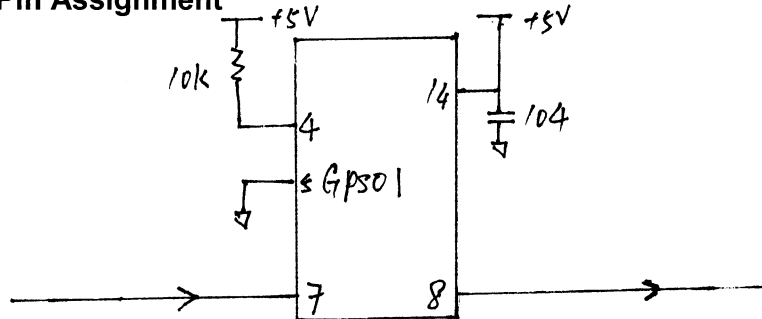


Application Notes for GPS01. 01/10/2006

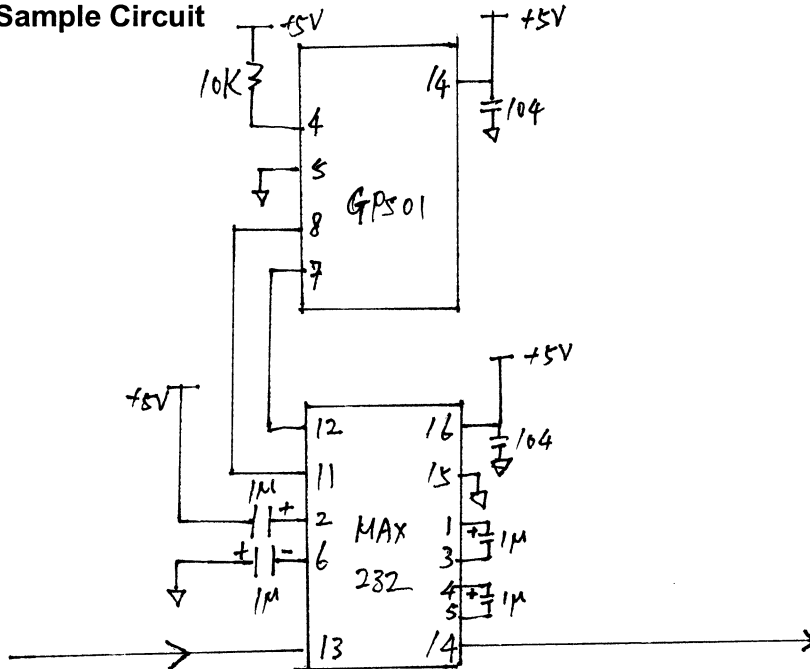
Pin Assignment



GPS Data
RS232 TTL Level
9600 baud 8-N-1

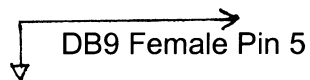
GPS Information
RS232 TTL Level
9600 baud 8-N-1

Sample Circuit



GPS Receiver Input

DB9 Female Pin 2



Output Format

(UTC time, Speed, Heading, Longitude, Latitude)

UTC time – 12 characters

Speed – speed in km

Heading – 0 to 359 (0 – North, 90 – East, 180 – South)

Longitude – WGS 84 format

Latitude – WGS 84 format