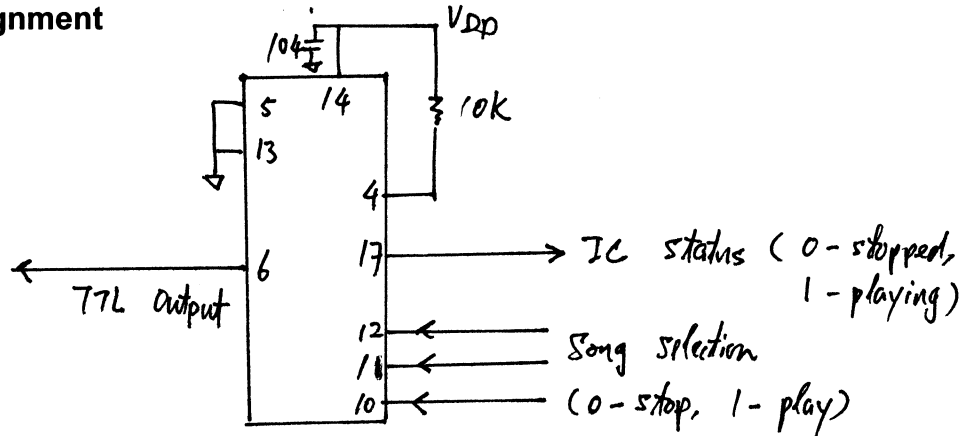
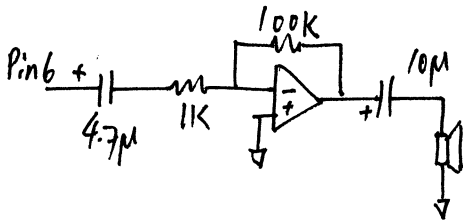


Application Notes for M82048 27/09/2006

Pin Assignment

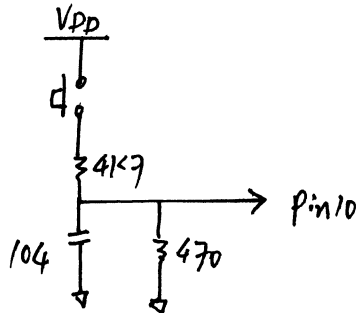


Typical Output



Any Op Amp such as KA3403 will do

Manual Stop/Play



How to Change Song

1. Set Pin Pin11 and Pin12
2. Set Pin10 to low (stop)
3. Set Pin10 to high (play)

More Information

Pin17 will keep staying on high until the current song playing finish. Pin17 will then reset to low for 3 seconds before repeat playing the same song again (Pin17 will then set to high again).