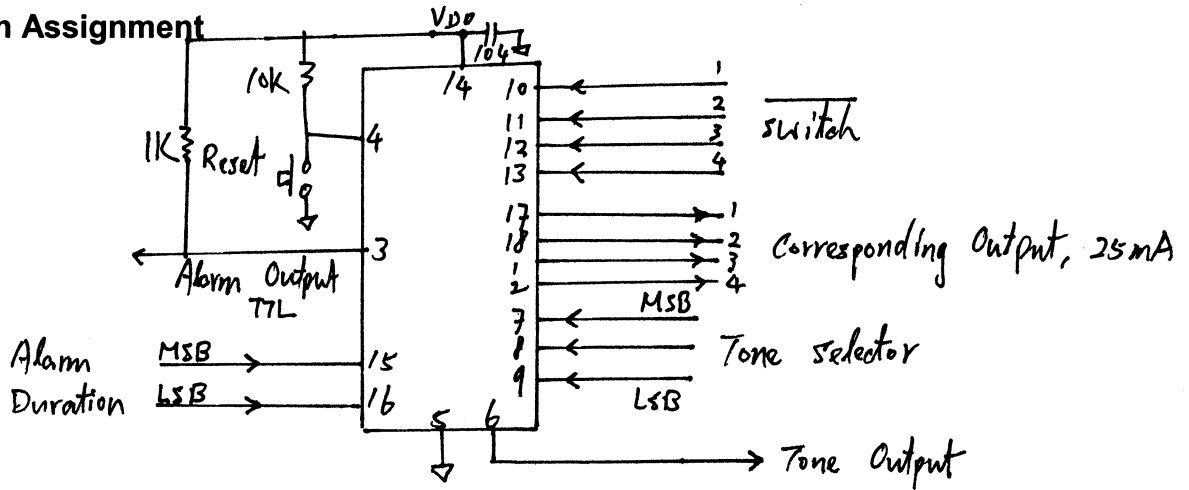
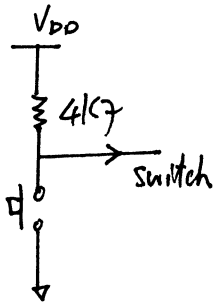


Application Notes for AG1, 28/09/2006

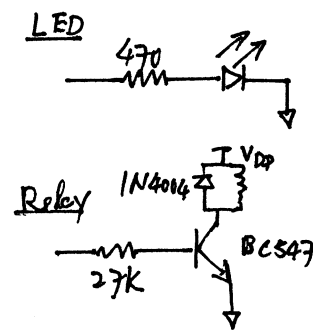
Pin Assignment



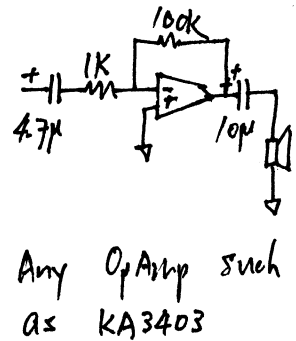
Switch Design



Corresponding Output



Sound



Alarm Duration Setting

Pin6=0	Pin15=0	250ms
Pin6=0	Pin15=1	750ms
Pin6=1	Pin15=0	500ms
Pin6=1	Pin15=1	1000ms

Tone Selection

Pin7	Pin8	Pin9	Note
0	0	0	C
0	0	1	D
0	1	0	E
0	1	1	F
1	0	0	G
1	0	1	A
1	1	0	B
1	1	1	C

More Information

- Only the first corresponding output will go high
- Press the reset button will rest the whole circuit and all outputs will go low
- Alarm output can be used to trigger other device